

# DATASHEET

Name:  
Type:  
Designed by:

**FLAT**  
Floor Lamp  
Ichiro Iwasaki

VIBIA

## DESCRIPTION

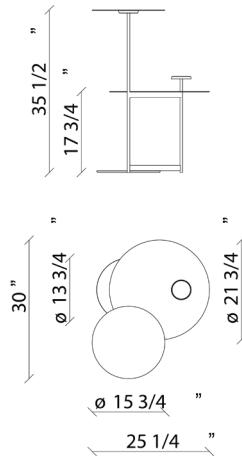
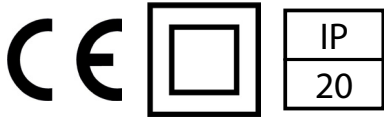
The Flat floor lamp comes in small and large sizes with either a simple or double metal pan, a compact disc, or a plate that acts as an auxiliary piece of furniture. When arranged in pairs the smaller matching disc captures the reflected light within the larger pan thus creating a focus of softer grouped lighting that lights both space as well as the light's own surfaces.

## TECH. DESCRIPTION

Installation type: Surface mounted  
Light Distribution: Indirect Lighting.  
Lamp that emits an upward or backward beam that is reflected by the ceiling or wall.



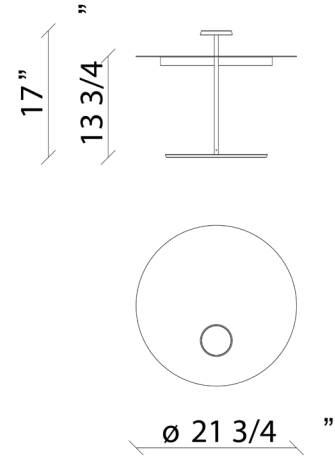
## CERTIFICATES



Product ID: 5945

### Flat Floor

-  
Aluminum, Steel, Polycarbonate difusser  
-  
Floor lamp  
Indoor



Product ID: 5950

### Flat Floor

-  
Aluminum, Steel, Polycarbonate difusser  
-  
Floor Lamp  
Indoor

## CONSTRUCTION SPECIFICATIONS

Weight:  
Construction material:  
Cord Length:  
Mounting:  
Environment:

## ELECTRICAL SPECIFICATIONS

Input voltage [V]: 100 - 240 V  
Frequency [Hz]: 50-60 Hz  
Max. power [W]: 14 W  
Coverage IP: 20  
Socket: -  
Light source: LED Module  
Energy class: A+

Input voltage [V]: 100 - 240 V  
Frequency [Hz]: 50-60 Hz  
Max. power [W]: 7W  
Coverage IP: 20  
Socket: -  
Light source: LED Module  
Energy class: A+



# DATASHEET

Name: **FLAT**  
Type: Floor Lamp  
Designed by: Ichiro Iwasaki


VIBIA

## PRODUCT DETAILS

### Item Coding - Model 5945

	Finish	Code
	Off - White (NCS S 1000 - N)	13
	Green L1 (NCS S 4005-G80Y)	47

### Item Coding - Model 5950

	Finish	Code
	White (NCS S 0300 - N)	10

### Light Source

Model	LED	Driver Included	Standard Dimming
5945	2700K CRI 90, 2400lm, 171 lm/W	Constant Current 400 mA 100V-240V 50/60 Hz	PUSH
5950	2700K CRI 90, 1200lm, 171 lm/W	Constant Current 400 mA 100V-240V 50/60 Hz	PUSH